

## IMPORTANT SAFEGUARDS

### WARNING:

MISUSE OF THE ALCOHOL TORCH CAN CAUSE AN EXPLOSION OR FIRE AND RESULT IN SEVERE PERSONAL INJURY AND PROPERTY DAMAGE.

FILL WITH DENATURED ETHYL ALCOHOL (ETHANOL) ONLY. DO NOT USE METHANOL (methyl alcohol). Use of fuels other than denatured alcohol can result in an explosion or dangerous operation. Use of denatured alcohol formula SD-3A is recommended. See the Alcohol Safety section following for additional information about the use and handling of alcohol.

INSPECT THE TORCH BEFORE EACH USE. If the Torch has been dropped and a crack develops in the plastic body, small amounts of alcohol may seep from the Torch. If this occurs, do not light the wick and keep the Torch away from flames and sources of heat. The Alcohol Torch should be returned to Whip Mix Corporation for a free inspection and repair estimate.

DO NOT FILL THE TORCH NEAR AN OPEN FLAME.

THE ALCOHOL FLAME IS COLORLESS AND CAN BE DIFFICULT TO SEE. Use caution when the Alcohol Torch is lit. After extinguishing the flame, be sure to place the wick cap securely over the wick.

BEFORE FILLING THE TORCH WITH ALCOHOL MAKE ABSOLUTELY CERTAIN THAT THE WICK HAS BEEN EXTINGUISHED AND IS COLD, NOT SMOLDERING. Cover the wick with the wick cap.

DO NOT LIGHT THE TORCH IF SPILLED ALCOHOL IS PRESENT.

USE THE TORCH IN A WELL-VENTILATED AREA AWAY FROM FLAMMABLE MATERIALS.

KEEP THE TORCH IN AN UPRIGHT POSITIONS. Inverting or tipping may cause alcohol to leak and cause a fire.

DO NOT OPERATE THE ALCOHOL TORCH IF GASKETS OR ANY OTHER PARTS ARE LOST OR DAMAGED. Operation of a damaged or incomplete unit may result in an alcohol leak and create fire or other hazards.

## ALCOHOL TORCH PART IDENTIFICATION

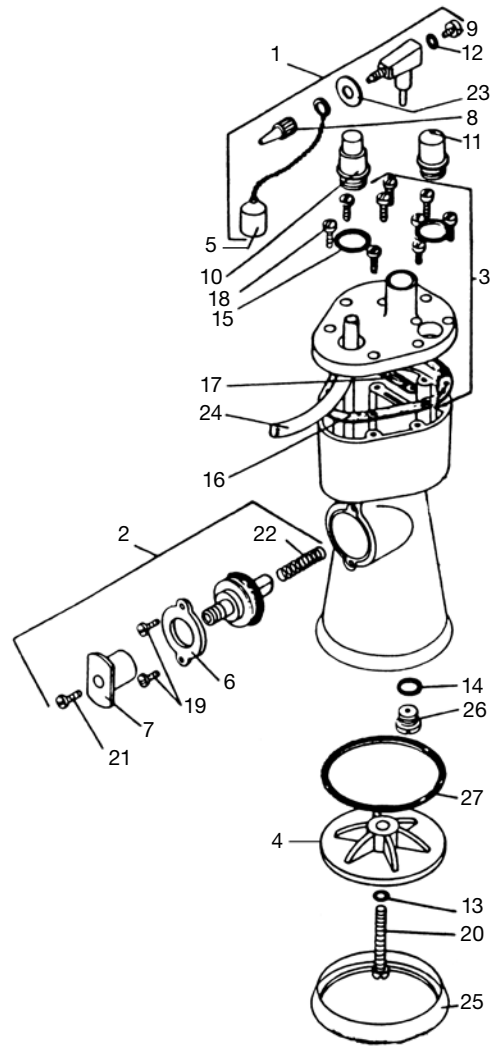


Figure E

## Hanau™ Alcohol Torch

Catalog No. 000301-000

Key	Part Number	Part Name
1	000354-000	Nozzle Holder Assembly
2	000355-000	Trigger Valve Assembly
3	000356-000	Top Kit
4		Bottom*
5	000361-000	Wick Cap and Chain
6	000319-000	Front Plate
7	000320-000	Trigger
8	000321-000	Nozzle Tip
9	000322-000	Air Escape Screw
10	000331-000	Wick Holder
11	000332-000	Filler Plug
12	000333-000	Gasket
13		Gasket*
14		Gasket*
15	000336-000	Gasket
16	000362-000	Cover Gasket
17		Gasket*
18	000339-000	Screw
19	000340-000	Screw
20		Screw*
21	000343-000	Screw
22	000344-000	Spring
23		Shield*
24	000349-000	Wick (minimum order 12, one extra included in new units)
25	000350-000	Rubber Ring
26		Fixed Valve Assembly*
27		Gasket*

\* Factory Repair Required

**Order by Part Number and Part Name**

### CAUTION

USE A FUNNEL THAT FITS INTO THE FILLING OPENING WHEN FILLING THE TORCH WITH FUEL. Use care to not overfill the Torch and spill alcohol. Clean up any alcohol spilled.

A HARDENED WICK MAY RESULT IN PUFFING AND IMPROPER OPERATION OF THE ALCOHOL TORCH.

EXAMINE THE VENT HOLE IN THE FILLER PLUG TO BE SURE THAT IT IS OPEN AND NOT PLUGGED WITH FOREIGN MATTER. If the vent hole becomes plugged from melted wax, clean the vent hole by placing the plug in boiling water for a few minutes, or use a needle to remove all foreign substances. Failure to keep the vent open may lead to puffing and prevent the Torch from working properly.

### ALCOHOL SAFETY

Denatured ethyl alcohol (formula SD-3A, if possible), or ethanol are the only fuels to be used with the Hanau™ Torch.

METHANOL (METHYL ALCOHOL) MUST NOT BE USED. As long as the alcohol is labeled as denatured alcohol, not methanol or methyl alcohol, it can be used in the Alcohol Torch. If denatured ethanol formula SD-3A cannot be obtained, contact Whip Mix for other recommendations.

Denatured alcohol can be unsafe if used improperly. Read and follow the safety precautions with the denatured alcohol and these Alcohol Torch Instructions. Be sure that the alcohol is primarily ethanol and that all personnel using the Alcohol Torch understand and follow all safety precautions.

If you have any questions concerning the safe use of the Alcohol Torch, or would like additional instructions, contact Whip Mix Corporation at 361 Farmington Avenue, Louisville, KY USA 40209, or telephone 800-626-5651. The fax number is 502-634-4512 or visit [www.whipmix.com](http://www.whipmix.com)



RESTORATIVE ORAL HEALTH

Whip Mix Corporation  
361 Farmington Avenue  
Louisville, KY USA 40209  
Toll-Free: 800-626-5651  
Fax: 502-634-4512  
[www.whipmix.com](http://www.whipmix.com)

Whip Mix® and Hanau logo are registered trademarks and Hanau™ is a trademark of Whip Mix Corporation.  
© 2016 Whip Mix Corporation



## HANAU™ ALCOHOL TORCH INSTRUCTIONS

READ ALL INSTRUCTIONS  
BEFORE USING  
THE ALCOHOL TORCH

The Hanau™ Alcohol Torch is an instrument used to melt and control the shape and flow of wax when taking impressions, in fabrication of dentures, setting up teeth, waxing, light soldering or jewelry manufacture. It may be used as an alcohol lamp or as a torch to create either a needlepoint or brush-type flame.

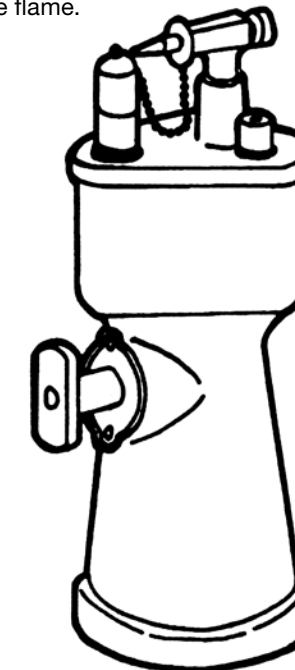


Figure A

# HANAU™ ALCOHOL TORCH

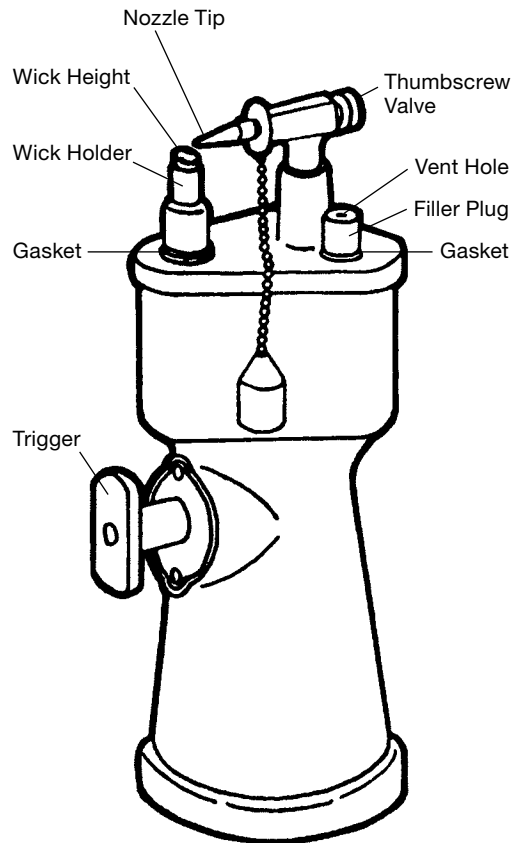


Figure B

## OPERATING INSTRUCTIONS

### WARNING:

USE THE TORCH IN A WELL-VENTILATED AREA AWAY FROM FLAMMABLE MATERIALS.

KEEP THE TORCH IN AN UPRIGHT POSITION. Inverting or tipping may cause alcohol to leak and cause a fire.

**CAUTION:** After extended use, the wick may become hardened or encrusted. If the wick is hardened or encrusted, snip off the hardened surface with a pair of scissors or a razor knife so that a fresh piece of cotton wick will be exposed to the flame before igniting the Alcohol Torch. This will assure generating an even burning flame.

Remove the wick cap and ignite the wick with a match or lighter.

### Use as an Alcohol Lamp (see Figure C)

Turn the nozzle away from the flame (either right or left of the wick) to use the Torch as an alcohol lamp.

### Use as a Blowtorch (see Figure D)

The Alcohol Torch uses an air pump principle. The flame is controlled by adjusting the thumbscrew valve and by the frequency of pumping the pump trigger.

## USE AS AN ALCOHOL LAMP

Turn the nozzle left or right away from the wick.

TOP VIEW OF ALCOHOL TORCH

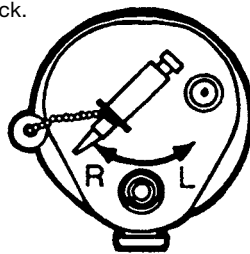


Figure C

## USE AS A BLOWTORCH

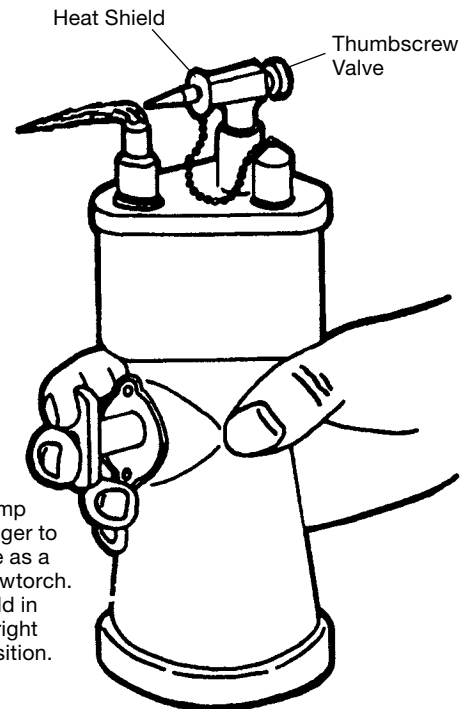


Figure D

## PREPARATION FOR USE

### Wick Adjustment (see Figure B)

Position the wick slightly below the nozzle tip. To adjust the wick, unscrew the wick holder and pull the wick up or down until the desired height is reached. Be sure to replace the gasket between the wick holder and the Torch top to prevent alcohol from leaking, which could cause a flare-up or fire.

### Filling (see Figure F)

### WARNING:

BEFORE FILLING THE TORCH WITH ALCOHOL, MAKE ABSOLUTELY CERTAIN THAT THE WICK HAS BEEN EXTINGUISHED AND IS COLD, NOT SMOLDERING. Cover the wick with the wick cap. DO NOT FILL THE TORCH NEAR AN OPEN FLAME.

Unscrew and remove the filler plug (Figure B), insert a small funnel and carefully pour DENATURED ALCOHOL ONLY into the chamber (Figure F).

The total capacity is approximately 90 ml (3 oz.). If the Torch is refilled before it is completely emptied, use extra care not to overfill the Torch and spill alcohol. The alcohol container used to refill the Torch should be one (1) pint, 500 ml, or less, to simplify filling without spilling.

Replace the filler plug. Be sure the gasket is positioned between the plug and Torch top to prevent alcohol from leaking. Before lighting the Alcohol Torch, be sure to clean up any alcohol that may have spilled on the Torch itself or on the table top and examine the filler plug vent hole. Be sure that the can or bottle from which you poured the alcohol has been resealed and removed from the area.

**CAUTION:** EXAMINE THE VENT HOLE IN THE FILLER PLUG TO BE SURE THAT IT IS OPEN AND NOT PLUGGED WITH FOREIGN MATTER. If the vent hole becomes plugged from melted wax, clean the vent hole by placing the plug in boiling water for a few minutes, or use a needle to remove foreign substances. Failure to keep the vent open may lead to puffing or prevent the Torch from working properly.

## FILLING THE TORCH

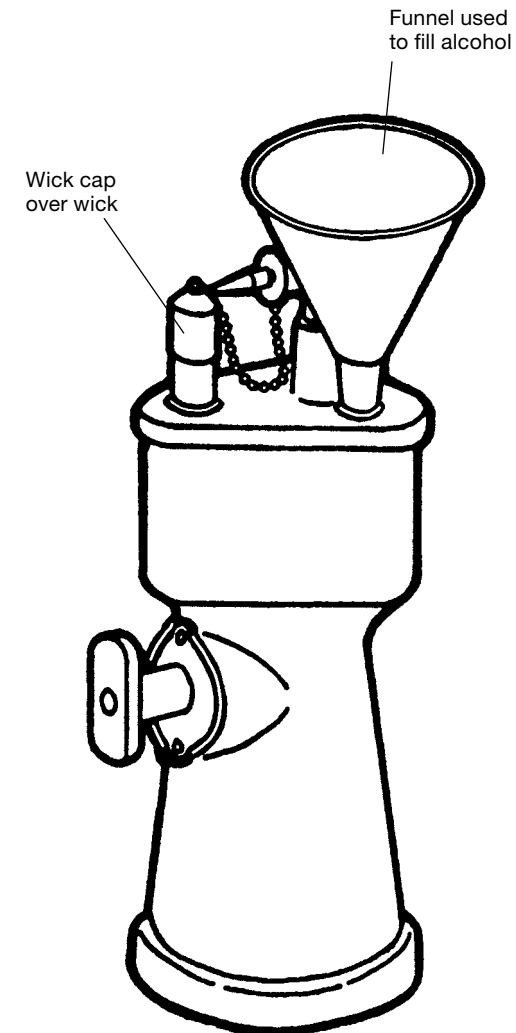


Figure F

## Needle-point Flame

Point the Alcohol Torch tip over the wick and continuously pump the trigger mechanism with a completely closed thumbscrew valve for a needle-point flame. Control the flame by the frequency of pumping the pump trigger.

## Brush-type Flame

For a milder licking or brush-type flame, open the thumbscrew valve in a counterclockwise direction. Continuously pump the trigger mechanism while the brush flame is needed. Control the flame by the thumbscrew valve and the frequency of pumping the pump trigger.

## EXTINGUISHING THE FLAME

Blow out the flame as you would a candle or a match. Place the wick cap securely over the wick to completely snuff out sparks and to prevent the evaporation of alcohol (see Figure A).

**CAUTION:** THE ALCOHOL FLAME IS COLORLESS AND CAN BE DIFFICULT TO SEE. Use caution when the Alcohol Torch is lit. After extinguishing the flame, be sure to place the wick cap securely over the wick.

## STORAGE

For short periods between uses, store the Alcohol Torch with the wick cap on securely. If the Alcohol Torch is to be stored for any length of time or transported, completely empty the alcohol reservoir by removing the filler plug and by inverting the Alcohol Torch over a funnel placed in a proper container away from flames. Clean up any alcohol that spills in this process.