

# WHIP MIX® PARTS LIST

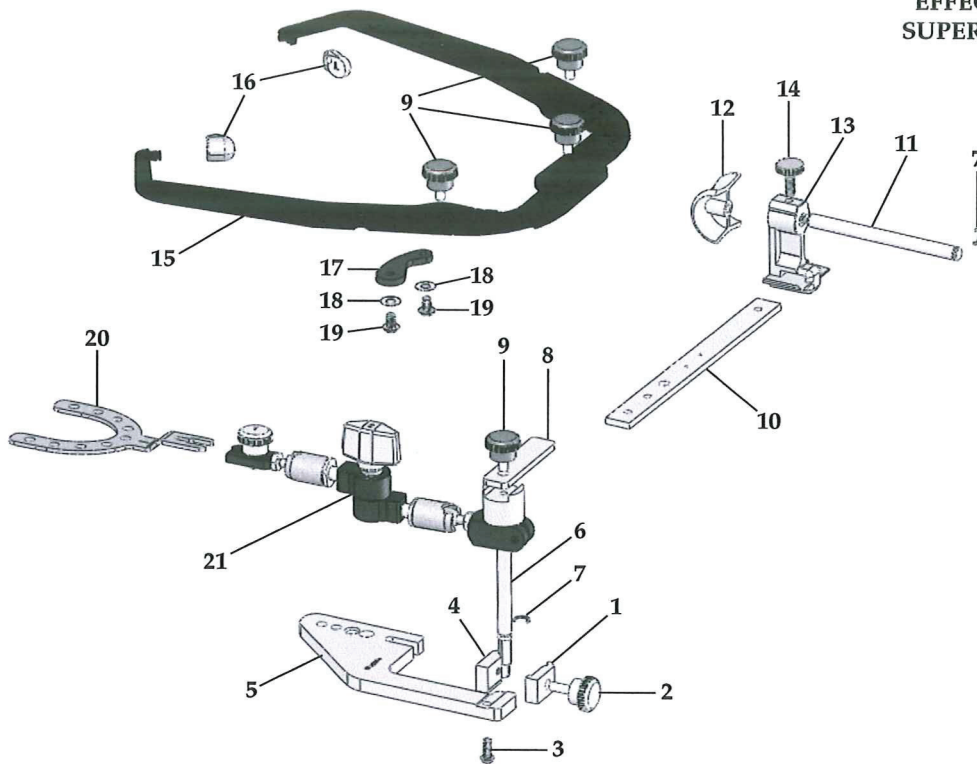
## MODEL 9155 FACEBOW

34342

PART #: MPL9155

EFFECTIVE: 12-1-2016

SUPERSEDES: 4-1-2013



Key #	Item #	Description
1, 2, 3, 4, 5	34444	Transfer Base Assembly
1	34568	Clamp
2	34576	Clamp Screw
3		Screw, RD Head*
4		Fixed Clamp*
5		Transfer Base*
6, 7	34509	Vertical Rod w. Retaining Ring
6		Vertical Rod*
7	16489	Retaining Ring (2)
8	25291	Support Bar
9	04391	Facebow Knob (4)
10	06890	Cross Bar
7, 11, 12	04421	Nose Piece Shaft Assembly
11		Nose Piece Shaft*
12		Nose Piece*

Key #	Item #	Description
13	04413	Upright Post
14	04407	Screw for Upright Post
15		Earbow Half/Left & Right*
16	04383	Plastic Ear Piece (2)
17		Elastic*
18	34360	Washer, Nylon (4)
19		Screw*
20, 21	34341	Quick Lock Toggle Assembly Direct/Convert
20	34340	Bitefork, Large
21		Quick Lock Toggle*
6, 7, 8, 9, 20, 21	34346	Quick Lock Toggle Assembly Indirect

\* Factory Repair Required



RESTORATIVE ORAL HEALTH  
Whip Mix Corporation  
361 Farmington Avenue  
Louisville, KY USA 40209  
Toll-Free: 800-626-5651  
Fax: 502-634-4512  
www.whipmix.com

