

BROKEN SCREW *Extractor Kit*



3 REASONS TO USE IT



BROKEN SCREW Extractor Kit



3 REASONS TO USE IT!



IT'S COMPATIBLE!

You can order the kit for ALL the different implant brands and systems!



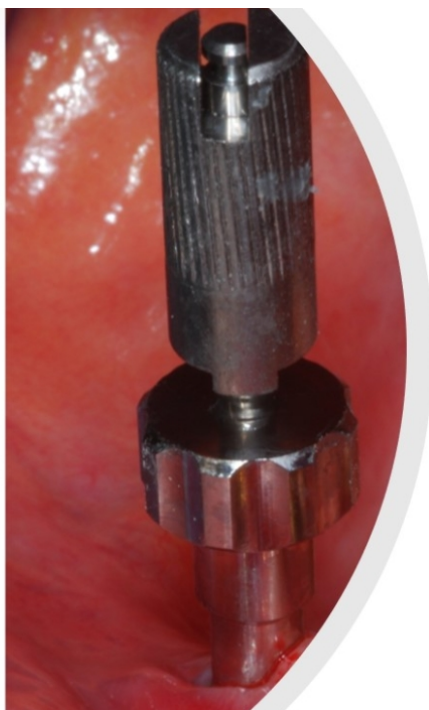
IT'S SAFE!

The Extraction procedure allows to maintain the complete integrity of the implants thread!



IT WORKS!

The rate success of the clinical extraction is over 98,5% on multiple types of implant platforms!

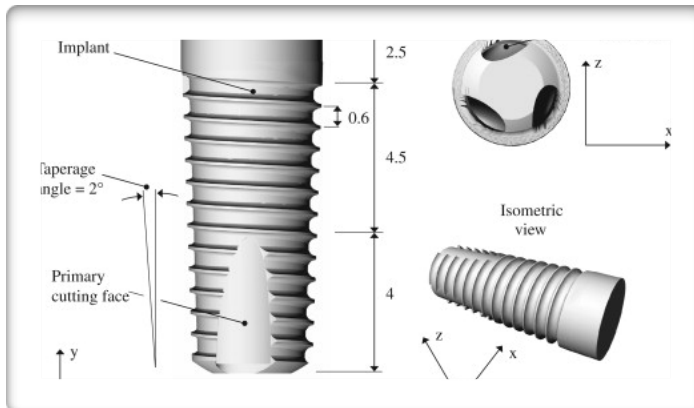


BROKEN SCREW Extractor Kit



INDICATE THE IMPLANT BRAND

You can order the Broken Screw Extractor kit for ALL implant systems, brands and connections. Each Kit will count on the perfect compatibility to the implant platform.

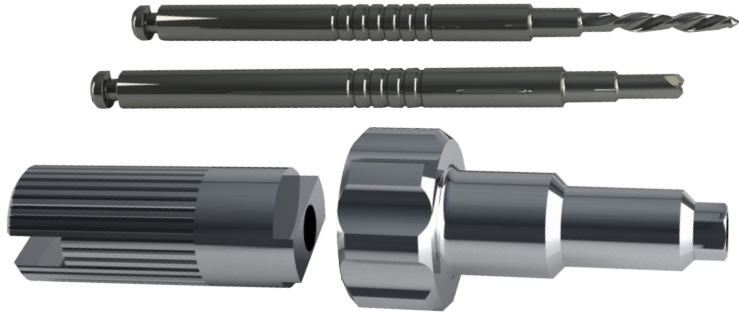


INDICATE THE IMPLANT DIAMETER

Each implant system has its own design and geometry. The correct diameter will be necessary to adapt the broken screw manual centering device.

WHAT TO ORDER

BROKEN SCREW *Extractor Kit*



REFERENCE 680: BROKEN SCREW EXTRACTOR KIT



REFERENCE 680FA: CLAW REAMER BUR



REFERENCE 680FS: REVERSE CUTTING BUR