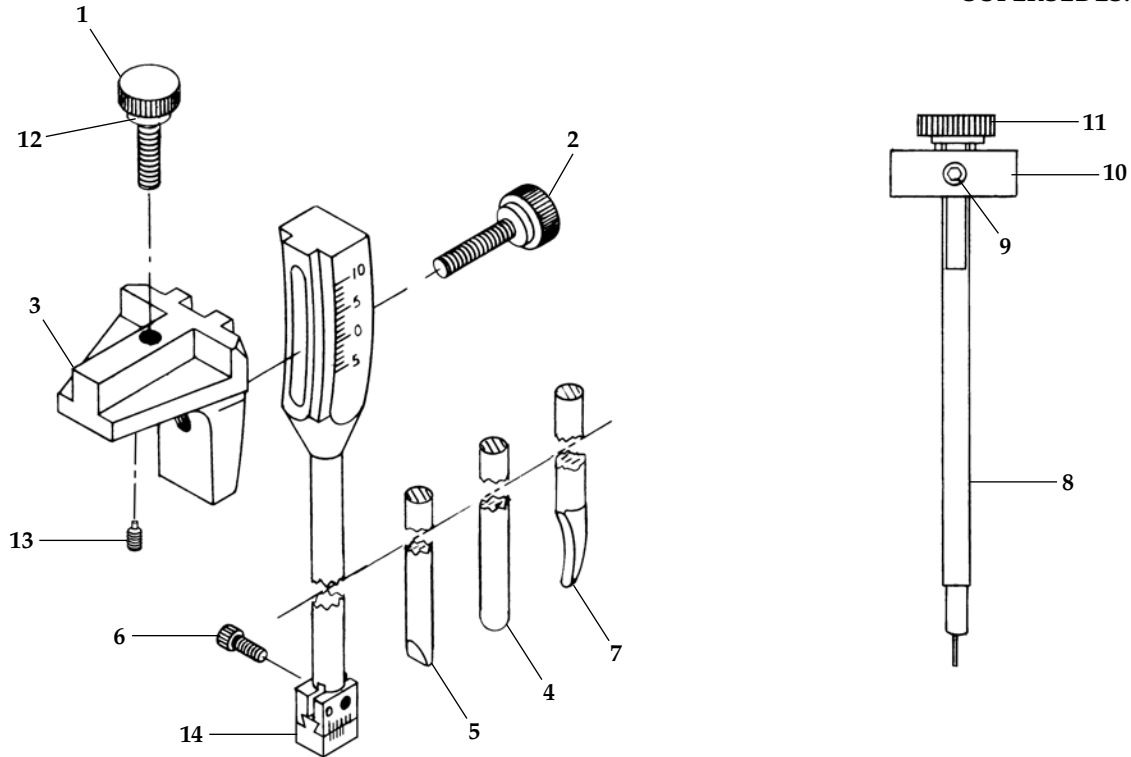


DENAR® PARTS LIST

PINS AND TABLES

PART #: 8810
EFFECTIVE: 11-1-2016
SUPERSEDES: 3-1-2013

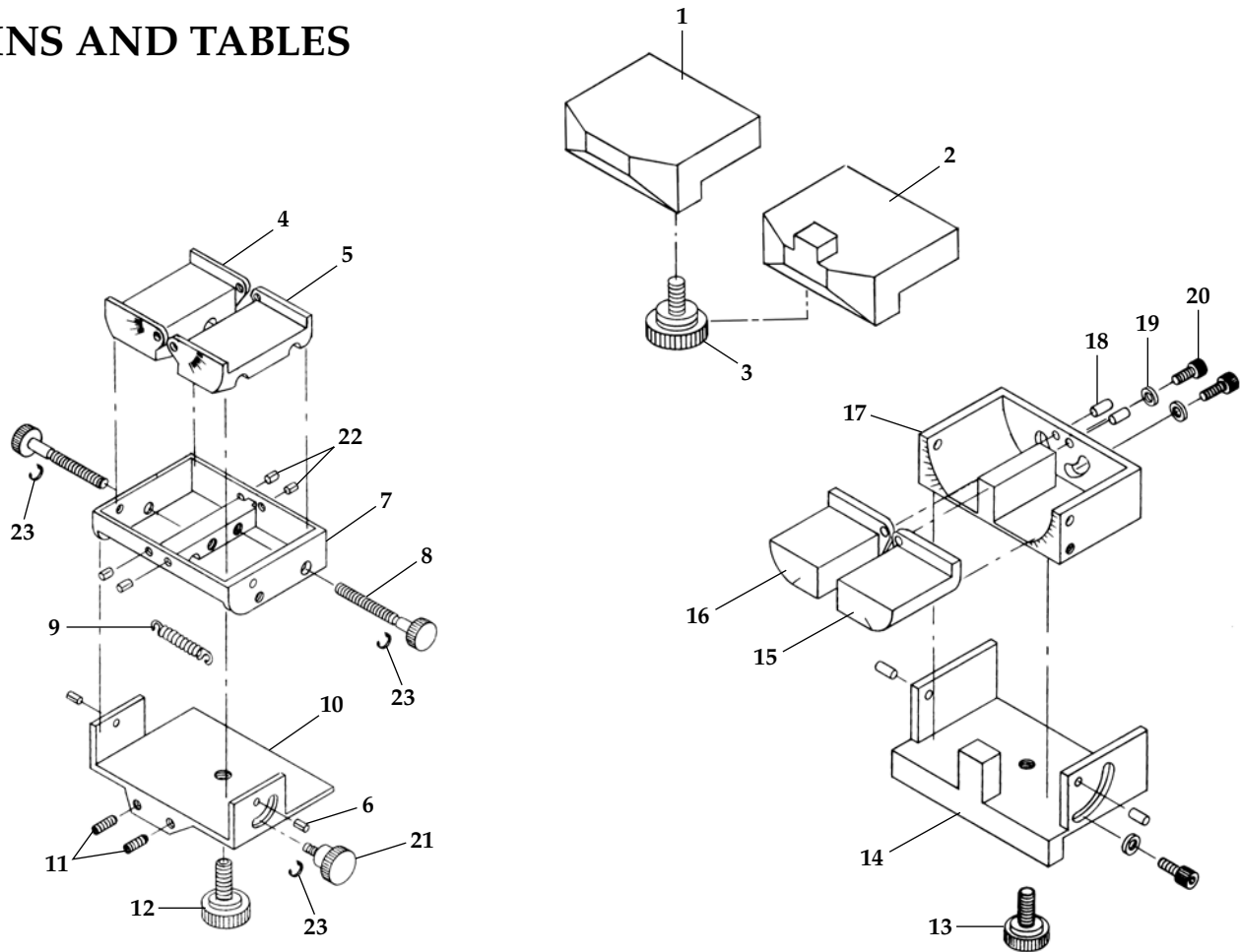


Key #	Part #	Description	Items Incl.
	110093	Incisal Pin Assy. (P2)	1-3, 6, 14
	110509	Incisal Pin Assy. (P6)	1-3, 5, 13
	112027	Incisal Pin Assy. (Black) (P4)	1-4
	110450	Incisal Pin Assembly Anterior Determiner	1-3, 7
	300163	Guide Pin Assembly	8-11
1	110084	Knob w/Washer	
2	110085	Knob w/Washer	
3		Incisal Pin Support	
4		Incisal Pin Short (P4)	
5		Incisal Pin (P6)	

Key #	Part #	Description
6	3039	Screw
7		Anterior Determiner Incisal Pin
8	300098	Dawson Guide Pin
9	3041	Set Screw
10	300418	Support (Dawson Pin)
11	110271	Knob
12	3631	Washer
13	R3018	Set Screw, Nylon
14		Incisal Pin Mech. with Shoe

* Factory Repair Required

PINS AND TABLES



Key #	Part #	Description	Items Incl.
	110240	Incisal Table, Flat T4	1, 3
	110241	Incisal Table, Step T2	2, 3
	110635	Mech-Tab, T6	4-14
	110109	Mech Incisal Table T3	15-22
1	110159-2	Incisal Table, T4	
2	101185	Incisal Table, T2	
3	110084	Knob/Screw Assy.	
4		Right Wing*	
5		Left Wing*	
6		Screw*	
7		Housing*	
8		Knob*	
9		Spring*	

Key #	Part #	Description
10		Platform*
11	008681-000	Set Screw
12	110271	Knob
13	110271	Knob
14		Housing, Mech Table*
15		Side Platform Left*
16		Side Platform Right*
17		Frame, Mech Table*
18	3057	Dowel Pin*
19	008668-000	Washer
20	3040	Screw
21		Knob/Screw Assy.
22		Pin
23		Ring

* Factory Repair Required



RESTORATIVE ORAL HEALTH
 Whip Mix Corporation
 361 Farmington Avenue
 Louisville, KY USA 40209
 Toll-Free: 800-626-5651
 Fax: 502-634-4512
 www.whipmix.com