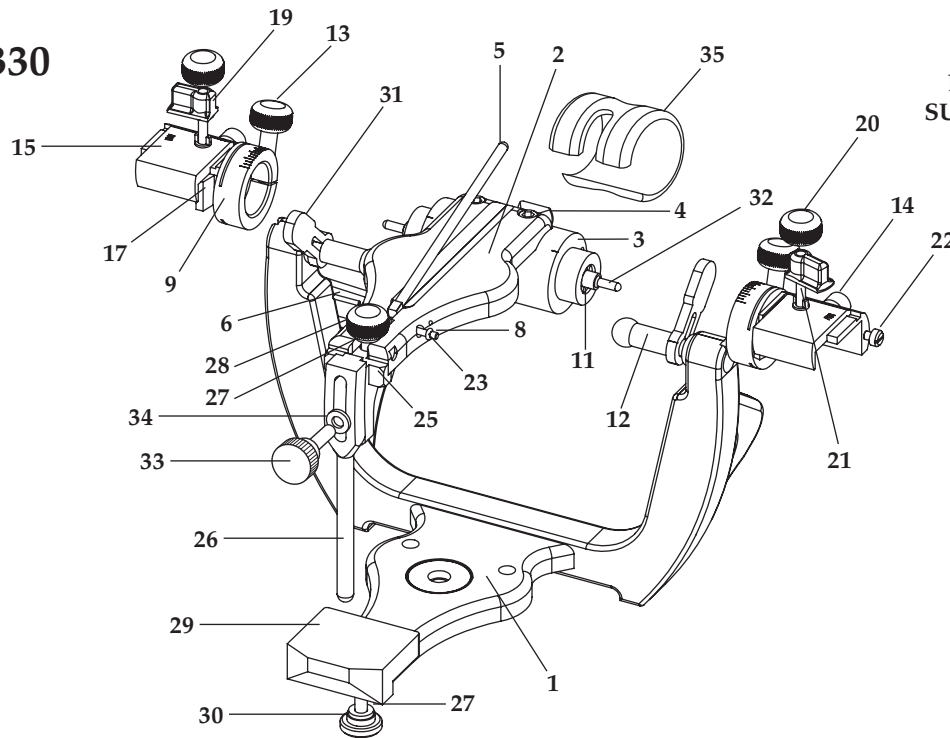


DENAR® PARTS LIST

MARK 330
20011389

PART #: 20011576
EFFECTIVE: 2-1-2015
SUPERSEDES: 7-1-2013



Key #	Part #	Description
1		Lower Sub-assembly*
2		Upper Bow*
3		Pivot Bar*
4		Latch*
5		Support Pin*
6		Pin, Spring*
8	20011013	Lockpin, Support
9		Fossa*
11		Latch Pin Screw*
12		Ball/Shaft, Condyle*
13	20011018	Lock Knob, Fossa
14		CR/CO Plug*
15		Slider*
17		Medial Wall*
19		Lever, Bennett*
20	20011019	Lock Knob, Bennett
21		Screw, Set*

Key #	Part #	Description
22	3771	Screw, Shoulder
23	20011289	O-Ring
25, 26, 33	20011386	Incisal Pin with Support Assembly
25		Incisal Support*
26		Incisal Pin*
27	3631	Washer, Nylon
28	20011024	Incisal Pin Knob
29	110159-2	Incisal Table
30	110084	Knob Screw Assembly
31	20011290	Elastic Retainer
32		Centric Pin*
33	110085	Screw Assembly (Knob, Screw & Washer)
34	3062	Washer
35	20011392	Mark 300 Series Dust Cover

* Factory Repair Required



RESTORATIVE ORAL HEALTH
Whip Mix Corporation
361 Farmington Avenue
Louisville, KY USA 40209
Toll-Free: 800-626-5651
Fax: 502-634-4512
www.whipmix.com

