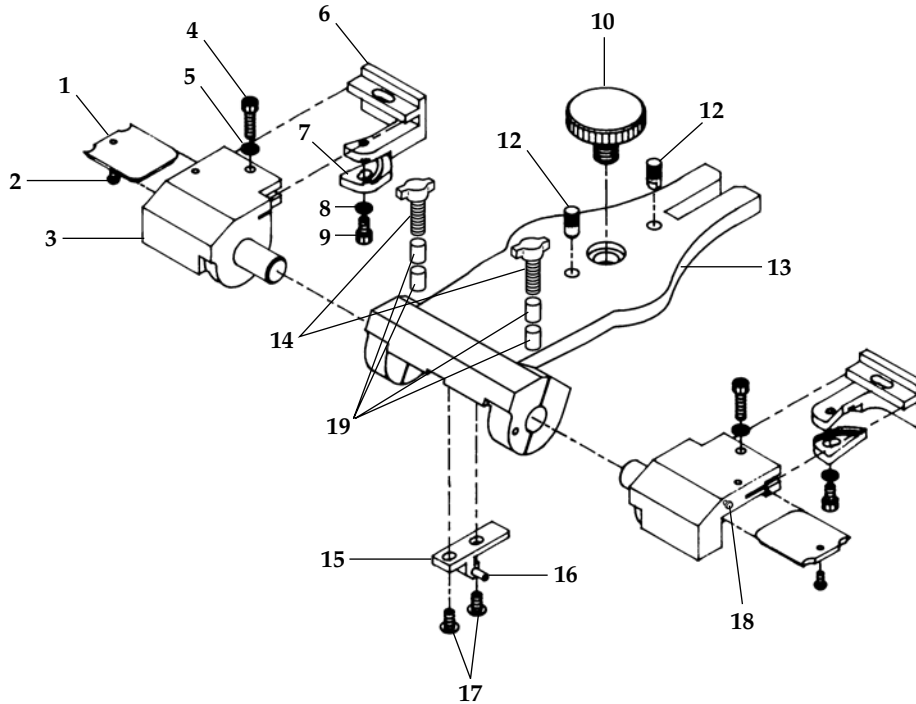


DENAR[®] PARTS LIST

MARK II UPPER ASSEMBLY

PART #: 8803
EFFECTIVE: 9-1-15
SUPERSEDES: 9-1-13



Key #	Part #	Description
1	300710-1	Fossa Insert
2	3493	Screw
3		Fossa*
4	3108	Screw
5	110031	Washer
6		Medial Wall*
7		Insert, Medial Wall*
8	008668-000	Washer
9	3039	Screw
10	110083	Knob/Screw Assembly

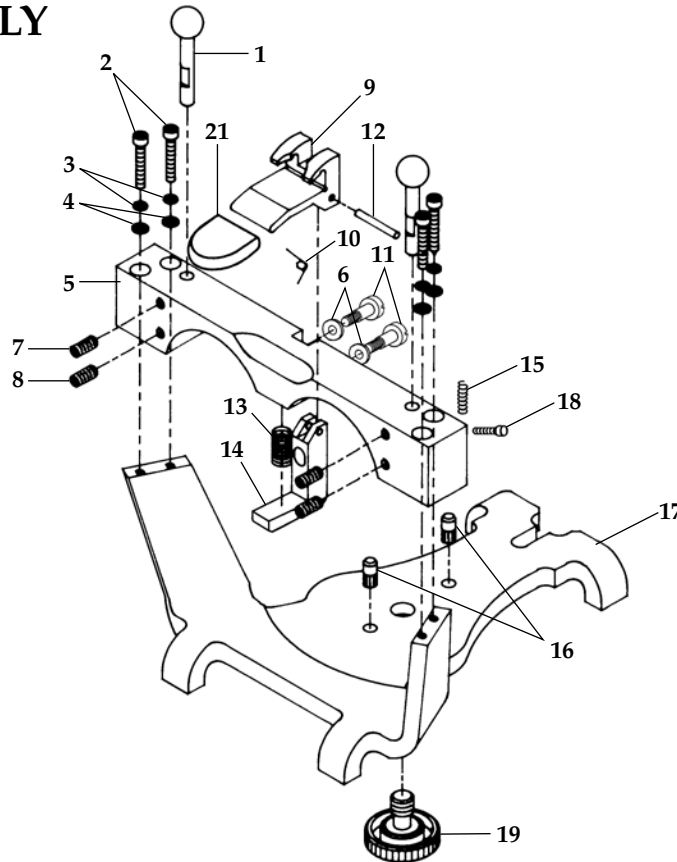
Key #	Part #	Description
12		Dowel Pin*
13		Upper Bow*
14	20010325	T-Knob Screw Assembly
15		Latch Guide*
16		Dowel Pin*
17		Screw*
18	113007	Screw
19	3694	Spacer
Not Shown	8047-1	Manual

* Factory Repair Required

R Right

L Left

MARK II LOWER ASSEMBLY



Key #	Part #	Description	Items Incl.
	110350	Pivot Block Kit***	6, 11, 14
1		Condyle Ball and Shaft	
2	3113	Screw	
3	3159	Lock Washer	
4	110031	Washer	
5		Lower Crossbar*	
6	35021-1	Washer**	
7	110202	Set Screw	
8	3032-1	Set Screw	
9		Latch MK II*	
10		Spring*	
11	34859-2	Shoulder Screw**	

Key #	Part #	Description
12		Dowel Pin*
13		Spring*
14		Pivot Block*
15	3764	Spring
16		Dowel Pin*
17		Lower Bow*
18	3771	Screw
19	110083	Knob/Screw
21	3769	Cap, Vinyl Latch
Not Shown	110293-1	Case

* Factory Repair Required

** Articulator purchased
Jan. 1, 2012 or after

*** Articulator purchased
before Jan. 1, 2012

R Right

L Left



RESTORATIVE ORAL HEALTH
Whip Mix Corporation
361 Farmington Avenue
Louisville, KY USA 40209
Toll-Free: 800-626-5651
Fax: 502-634-4512
www.whipmix.com