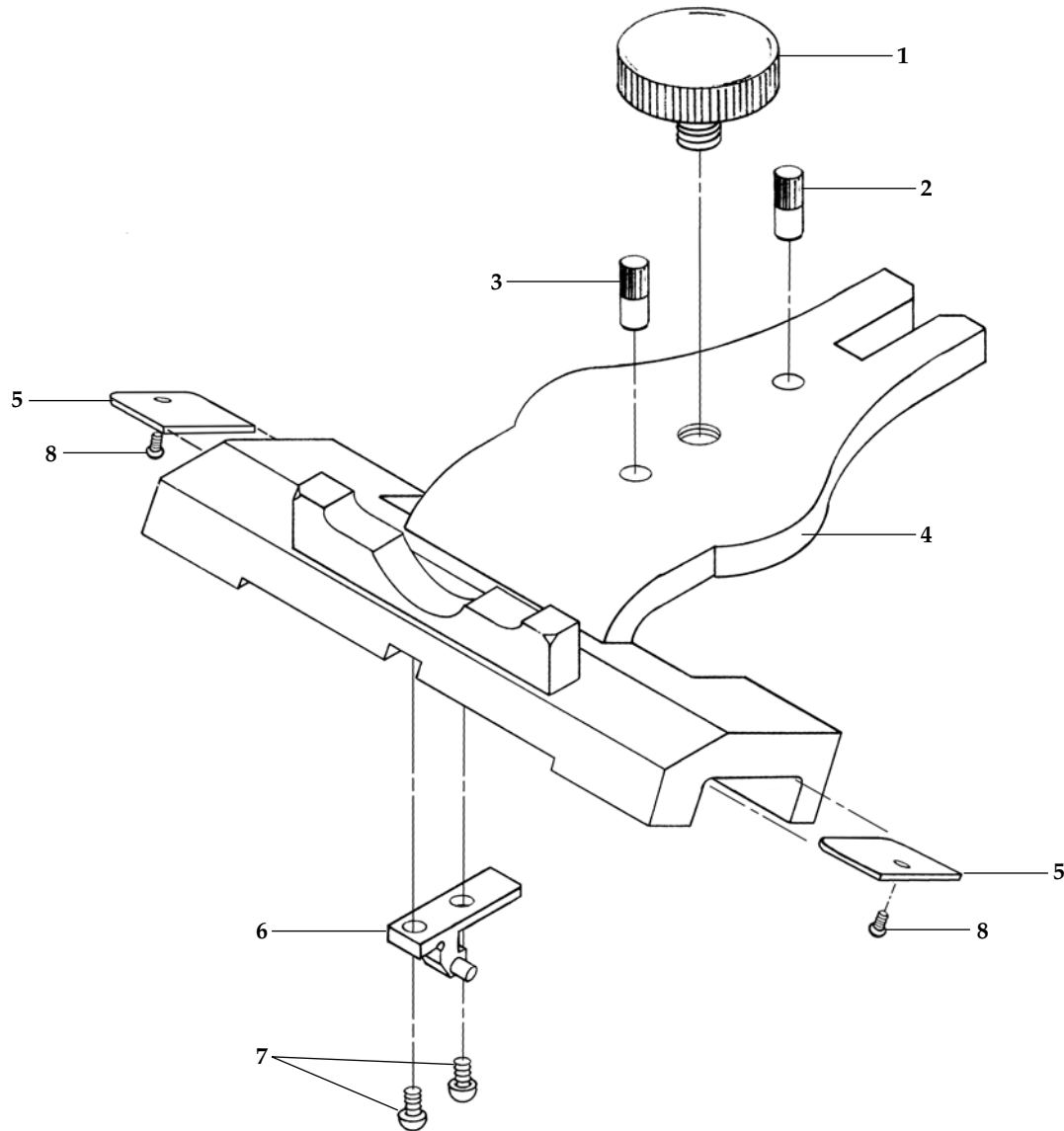


DENAR[®] PARTS LIST

AUTOMARK UPPER ASSEMBLY 110409-4

PART #: 8809
EFFECTIVE: 3-1-2013
SUPERSEDES: 12-1-2011



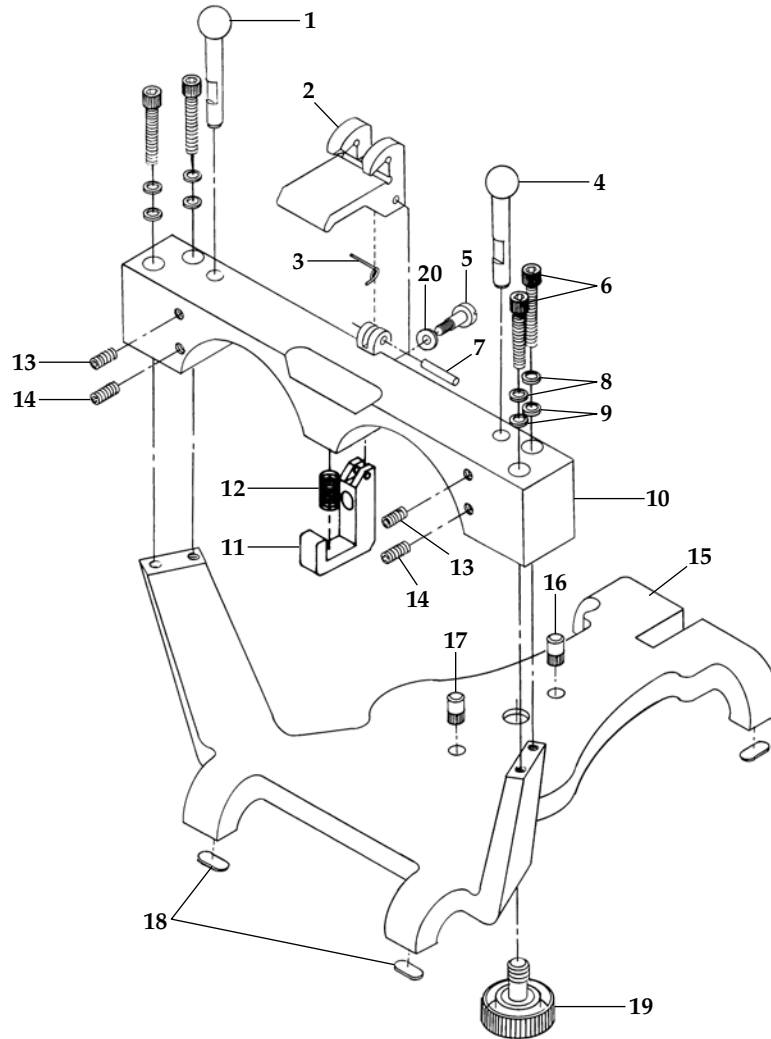
Key #	Part #	Description
1	110083	Knob/Screw Assembly
2		Dowel Pin*
3		Dowel Pin*
4		Upper Bow, Slot*
5	110412-1	Insert Fossa Automark

Key #	Part #	Description
6		Latch Guide Assembly*
7		Screw*
8	3493	Screw
Not Shown	110293-1	Case

* Factory Repair Required

AUTOMARK LOWER ASSEMBLY

110409-4



Key #	Part #	Description	Items Incl.
	110350	Pivot Block Kit***	5, 11, 20
1		Condyle Ball/Shaft Left*	
2		Latch*	
3		Spring*	
4		Condyle Ball/Shaft Right*	
5	34859-2	Screw with Nylon Patch**	
6	3113	Screw	
7		Dowel Pin*	
8	3159	Lock Washer	
9	110031	Washer	
10		Lower Crossbar*	

Key #	Part #	Description
11		Pivot Block*
12		Spring*
13	110202	Set Screw
14	3032-1	Set Screw
15		Lower Bow*
16		Dowel Pin*
17		Dowel Pin*
18	110182	Foot
19	110083	Knob/Screw Assembly
20	35021-1	Washer**

* Factory Repair Required

** Articulator purchased
Jan. 1, 2012 or after

*** Articulator purchased
before Jan. 1, 2012



RESTORATIVE ORAL HEALTH
Whip Mix Corporation
361 Farmington Avenue
Louisville, KY USA 40209
Toll-Free: 800-626-5651
Fax: 502-634-4512
www.whipmix.com

